

COMPRESSOR replacement filters



Maximum Working Pressure:

225 psi / 1551 kPa / 15.5 bar

Maximum ΔP : (differential pressure)

25 psid / 172 kPa / 1.7 bar

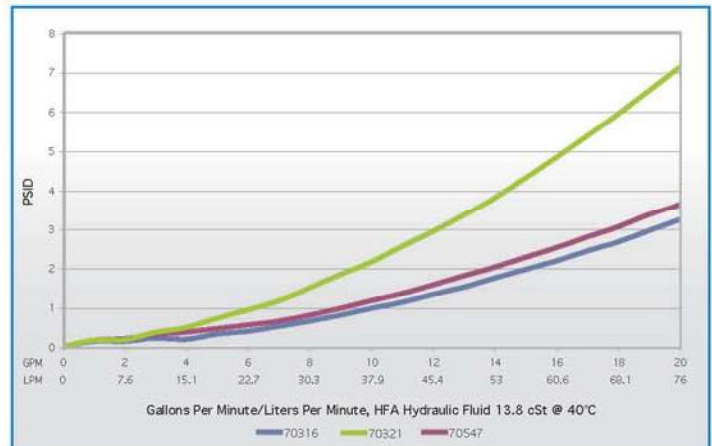
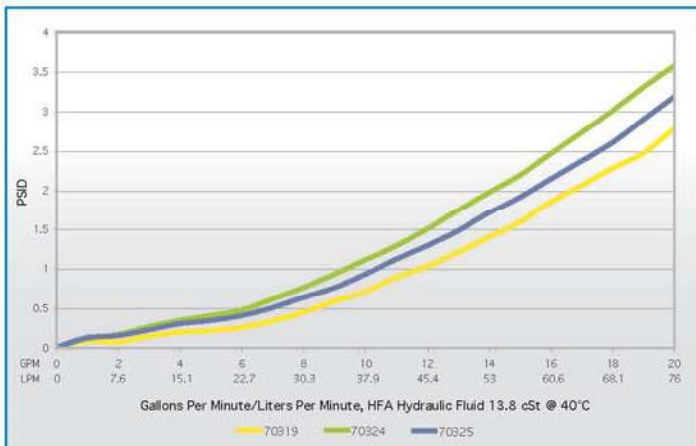
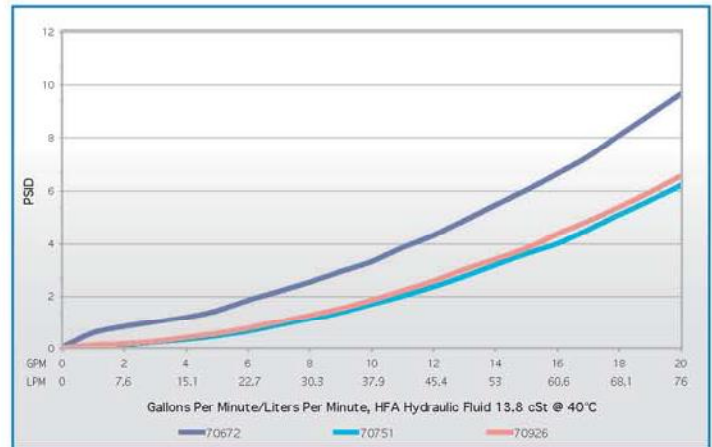
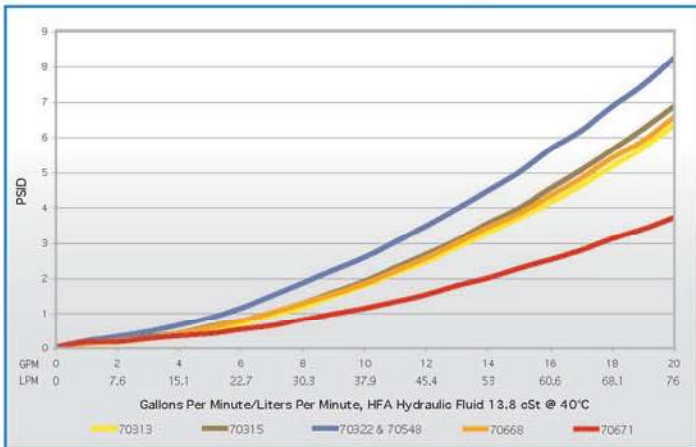
Maximum Flow up to:

40 gpm / 151 lpm

Application

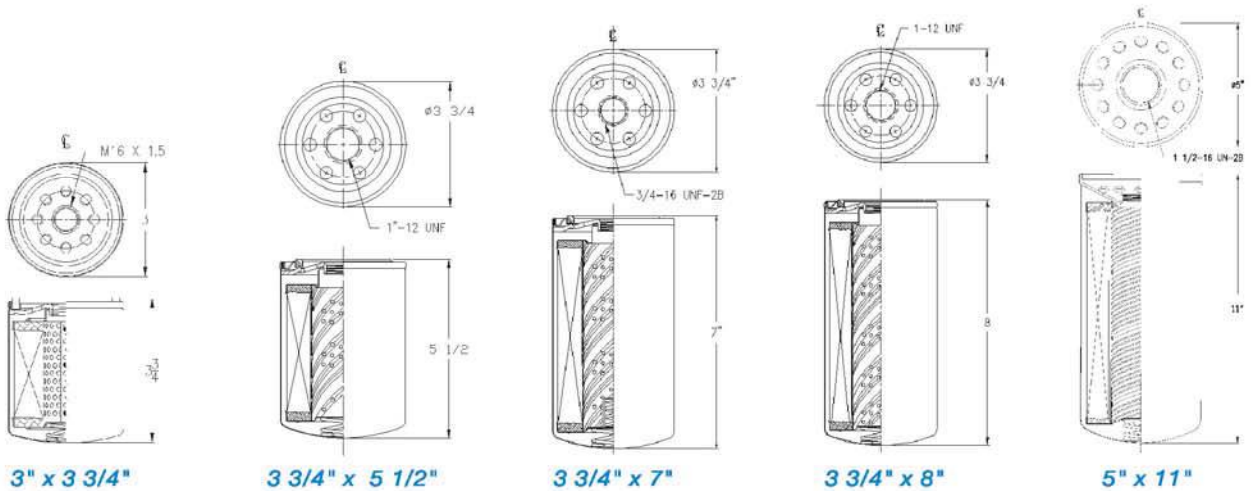
- For use on rotary screw air compressors
- Compatible with petroleum-based and most synthetic fluids

Flow vs. Pressure



Filter Dimensions

All dimensions are shown in inches



Filtration Ratios

Cellulose Resin-Impregnated Media

P/N	Thread	Length	Width	Bypass	Working Pressure	$\beta_x=2$	$\beta_4=x$	$\beta_6=x$	$\beta_{14}=x$	$\beta_x=75$	$\beta_x=200$	$\beta_x=500$
70228	3/4"-16	3 3/4"	3"	18#	100	<4	-	-	34	17	28	>50
70564	3/4"-16	5 1/2"	3 3/4"	15# & AD	175	10	-	-	3	33	37	46
70669	3/4"-16	5 1/2"	3 3/4"	9# & AD	175	10	-	-	3	33	37	46
70676	3/4"-16	5 1/2"	3 3/4"	AntiDrain	175	10	-	-	3	33	37	46
70562	3/4"-16	7"	3 3/4"	30#	175	6	-	2	4	24.5	24	30
70548	1"-12	5 1/2"	3 3/4"	N/A	175	<4	2	3	34	17	28	>50
70322	1"-12	5 1/2"	3 3/4"	15#	175	<4	2	3	34	75	28	>50
70672	1"-12	5 1/2"	3 3/4"	25#	175	6	-	2	4	24.5	24	30
70315	1"-12	5 1/2"	3 3/4"	N/A	175	10	-	-	3	33	37	46
70926	1"-12	8"	3 3/4"	25#	175	6	-	2	4	24.5	24	30
70668	1"-12	8 11/16"	3 3/4"	25#	175	6	-	2	4	24.5	24	30
70313	1"-12	8 11/16"	3 3/4"	25#	175	10	-	-	3	33	37	46
70751	1"-12	8 11/16"	3 3/4"	30#	175	10	-	-	3	33	37	46
70326	1 1/4"-12	5 1/2"	3 3/4"	15#	175	<4	2	3	34	17	28	>50
70781	1 1/4"-12	5 1/2"	3 3/4"	N/A	175	<4	2	3	34	17	28	>50
70673	1 1/4"-12	5 1/2"	3 3/4"	N/A	175	10	-	-	3	33	37	46
70321	1 1/4"-12	8 11/16"	3 3/4"	N/A	175	<4	2	3	34	17	28	>50
70551	1 1/4"-12	8 11/16"	3 3/4"	N/A	175	10	-	-	3	33	37	46
70671	1 1/2"-16	7"	5"	N/A	100	10	-	-	3	33	37	46
70547	1 1/2"-16	7"	5"	N/A	100	<4	2	3	34	17	28	>50
70316	1 1/2"-16	11"	5"	N/A	100	<4	2	3	34	17	28	>50
70670	M16-1.5	3 3/4"	3"	15#	100	10	-	-	3	33	37	46

High-Performance Microglass Media

70323	.970"-20	5 1/2"	3 3/4"	N/A	175	<6	6	19	500	9	12	14
70317	.970"-20	5 1/2"	3 3/4"	N/A	175	6	-	2	500	12	13	14
70320	.970"-20	5 1/2"	3 3/4"	25#	175	6	-	2	500	12	13	14
70324	1 1/4"-11 BSP	7"	5"	N/A	100	<6	6	19	500	9	12	14
70318	1 1/4"-11 BSP	7"	5"	N/A	100	6	-	2	500	12	13	14
70325	1 1/4"-11 BSP	11"	5"	N/A	100	<6	6	19	500	9	12	14
70319	1 1/4"-11 BSP	11"	5"	N/A	100	6	-	2	500	12	13	14
70739	M20-1.5	5 1/2"	3 3/4"	15#	175	6	-	2	500	12	13	14
70311	M38 STD	5 1/2"	3 3/4"	N/A	225	<6	6	19	500	9	12	14
70312	M38 STD	8"	3 3/4"	N/A	225	<6	6	19	500	9	12	14

Hydrosorb® Water Removal Media

70437	.970"-20	5 1/2"	3 3/4"	N/A	175	<14	-	-	5	24	27	29
70430	3/4"-16	3 3/4"	3"	N/A	100	<14	-	-	5	24	27	29
70431	1"-12	5 1/2"	3 3/4"	N/A	175	<14	-	-	5	24	27	29
70432	1"-12	8 11/16"	3 3/4"	N/A	175	<14	-	-	5	24	27	29
70433	1 1/4"-12	5 1/2"	3 3/4"	N/A	175	<14	-	-	5	24	27	29
70434	1 1/4"-12	8 11/16"	3 3/4"	N/A	175	<14	-	-	5	24	27	29
70438	1 1/4"-11 BSP	7"	5"	N/A	100	<14	-	-	5	24	27	29
70435	1 1/2"-16	7"	3 3/4"	N/A	175	<14	-	-	5	24	27	29
70436	M16- 1.5	3 3/4"	3"	15#	100	<14	-	-	5	24	27	29
70439	M20-1.5	5 1/2"	3 3/4"	N/A	175	<14	-	-	5	24	27	29

Note: 1. Filters are not to be used with aviation applications. 2. Specifications are subject to change without notice.